

Node-H

Node-H Askey 5G Outdoor Small Cell

Node-H Askey 5G SA Outdoor Small Cell

Deployment specialist
brings 5G to market

Carrier-grade RAN solutions for rapid deployment

Node-H has a proven track record of wide-scale deployments at senior operators, and works closely with end-to-end eco-system vendors so operators can source complete or disaggregated solutions for their RAN.

Node-H carrier-grade software powers this standalone, fully-integrated, low-cost Askey 5G Outdoor Small Cell, which operates in the widely-used n78 frequency band.

Node-H brings deep technical know-how to solving real-world issues which has allowed carriers worldwide to deploy millions of cells based on Node-H software.

By working closely with technology partners, Node-H supports end-to-end and disaggregated solutions with different gateways and management systems.

Node-H's LTE and UMTS software suites are widely deployed at operators. This complements the 5G offering to provide a full portfolio of RAN technologies.

The Node-H Askey 5G Outdoor Small cell brings turnkey disaggregated cells to public mobile operator uses cases. It also provides the foundation to rapidly address Private 5G networks in vertical markets such as nomadic networks, real-estate, Industry 4.0 or Campus networks.



The 5G Software Suite supports Centralized Unit (CU) and Distributed Unit (DU), with a clear Control-Plane (CP) and User Plane (UP) split that can be configured in various ways to build 5G RAN technology for small cells.

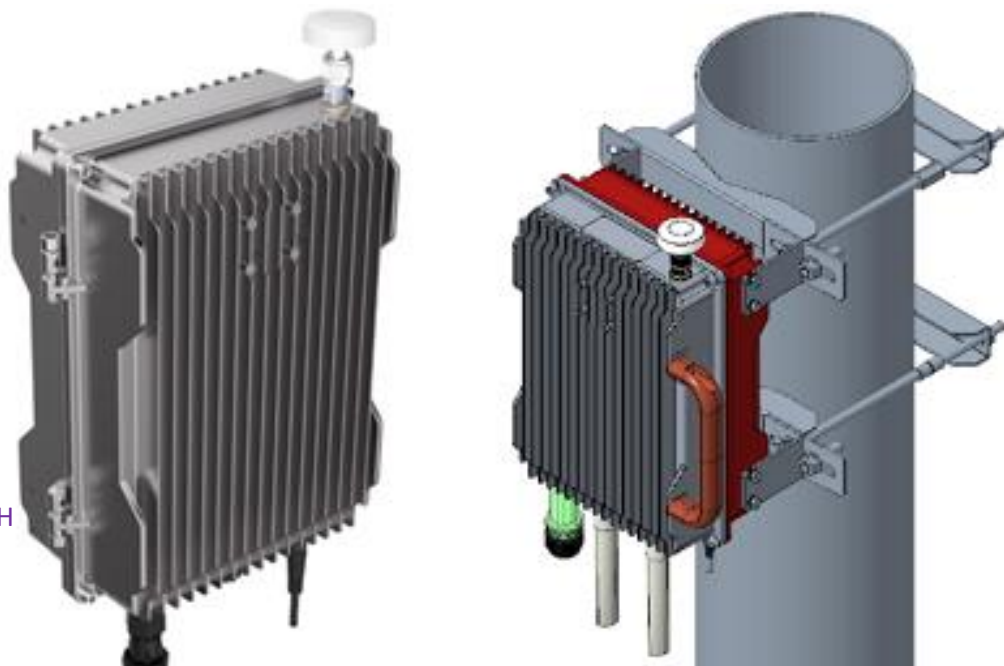
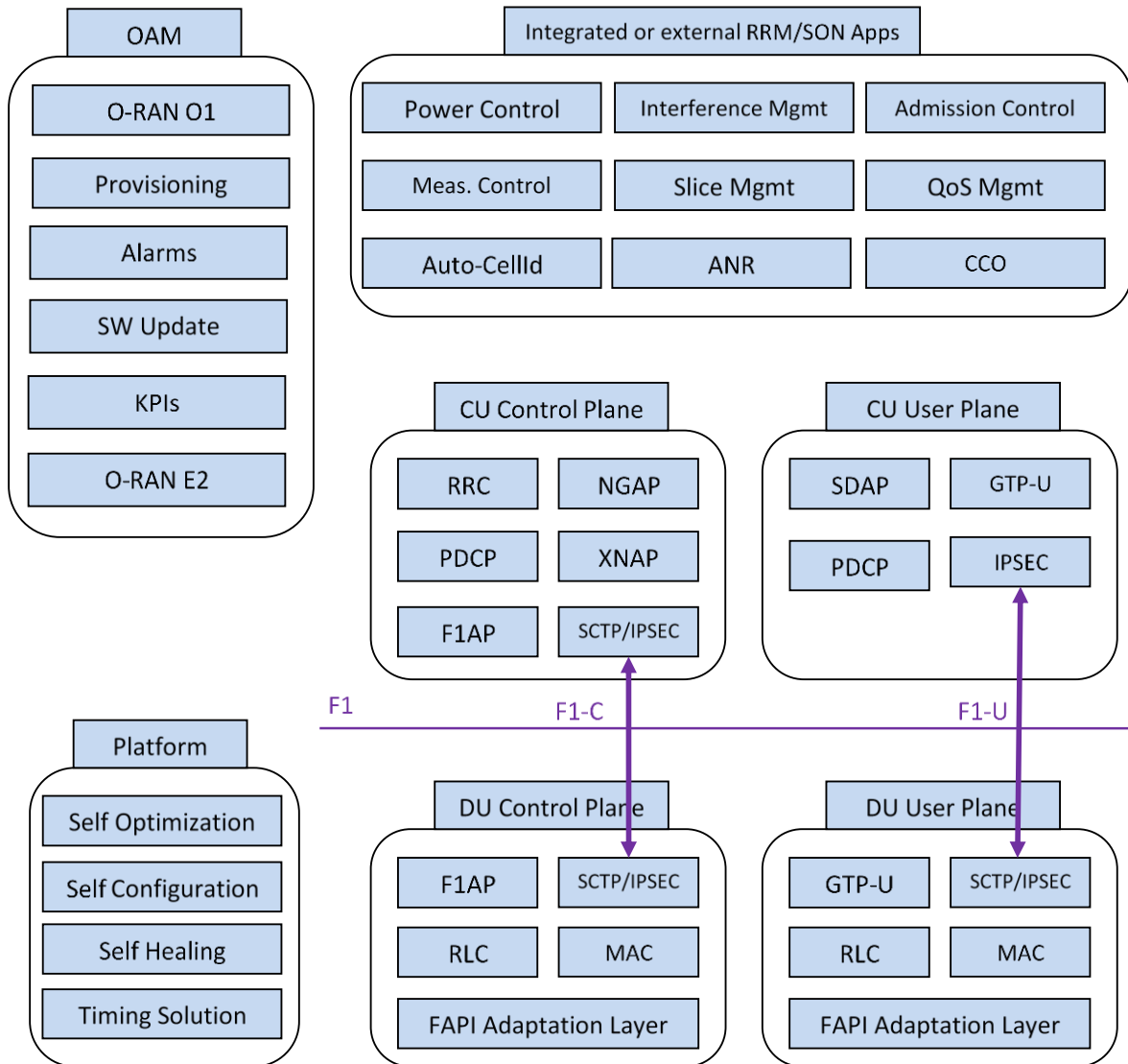
Node-H software follows the standards-based 3GPP architecture, as well as O-RAN and Small Cells Forum defined interfaces, to support interoperability with other vendors. Node-H has focused much effort on interoperability, having integrated Node-H based cells with infrastructure from all of the major network equipment vendors, and received the Chairman's Award from the Small Cell Forum for work on Interoperability.

Choose Node-H because...

Node-H has a uniquely experienced team of specialists who cover all of the major technologies required to implement complete RAN solutions.

Node-H integrates its system software, including a comprehensive security solution, management software, SON and RRM, scheduler and L2/L3 protocols, with Askey's hardware design to deliver a ready-to-deploy solution with the lowest TCO.

gNB 5G Application



Features

| | |
|---|---|
| SA Architecture | The Node-H Askey 5G Standalone Small Cell supports the Option 2 – NR Standalone architecture |
| Carrier Bandwidth | Up to 100MHz. |
| Power Management | Configurable up to 40dBm in steps of 0.1dBm. |
| Voice Calls and Quality of Service | 5G VoNR in accordance with 5QI. Comprehensive 5QI support in UL and DL and association with vLAN configuration for end-to-end QoS. |
| Interference Management | Automatic interference management, ANR for establishing neighbor lists, Admission control. |
| Mobility | Measurements allow the cell to support 5G inter and intra Cell handovers, core based NG and cell-based Xn handovers are supported. |
| Network slicing | Multiple slices with network resource isolation. |
| Operations and Maintenance | Management of the cell is via the O-RAN O1 service models using Netconf/YANG in accordance with the relevant O-RAN specifications. E2 is also supported for research projects. |
| Security | The security of the platform is assured using the relevant O-RAN specification through the O1 interface. Ciphering with hardware acceleration, Signaling integrity checking. IPSEC, IKE v2 key management, AES, certificate-based security. |
| Timing Solution | The timing solution supports GNSS and PTP. |
| 3GPP Release | The 3GPP message support corresponds to the 3GPP Release 17 specifications. |
| Ethernet PDU | Industry 4.0 features are available in special versions of the software. |

Protocol compliance

3GPP Standards (rel16)

TS 38.300 5G; NR; Overall Description; Stage-2
 TS 38.321 5G; NR; Medium Access Control (MAC)
 TS 38.322 5G; NR; Radio Link Control (RLC)
 TS 38.323 5G; NR; Packet Data Convergence Protocol (PDCP)
 TS 38.331 5G; NR; Radio Resource Control (RRC)
 TS 38.401 5G; NG-RAN; Architecture Description
 TS 38.413 5G; NG RAN; NG Application Protocol (NGAP)
 TS 38.423 5G; NG RAN; Xn Application Protocol (XnAP)
 TS 38.425 5G; NG RAN; NR User Plane Protocol
 TS 38.473 5G; NG RAN; F1 Application Protocol (F1AP)
 TS 38.474 5G; NG RAN; F1 Data Transport
 TS 37.324 5G; NR; Service Data Adaptation Protocol (SDAP)

Small Cell Forum, O-RAN, IETF

SCF 222 5G FAPI
 SCF 223 P19 RF Control
 SCF 224 Network Monitor Mode
 SCF 225 5G nFAPI
 O-RAN-WG1-O-RAN Architecture Description
 O-RAN A1 interface: Application Protocol Version
 O-RAN Near-RT RIC Architecture
 O-RAN Near-RT RIC E2 Application Protocol
 IPv4/V6 – IETF RFC 791/2460
 UDP – IETF RFC 768
 SCTP – IETF RFC 4960

Hardware – Askey SCU2070

| 2 x 5W Outdoor Small Cell | |
|---------------------------|---|
| Standard | 3GPP 5G Rel 15 Standalone mode, with Rel 17 messaging |
| Frequency Bands | n78 (3700 – 3800MHz) |
| Bandwidth | 100MHz |
| Antenna | External 2x2 MIMO |
| LED | 1 LED |
| TX Power | 5W (37dBm) per port |
| Supported Users | Up to 64 UEs |
| Timing Synchronization | GPS / PTP |
| Backhaul | 2.5G WAN/10G SFP+ |
| Power Consumption | < 100W |
| Power Supply | AC90 – 264V |
| Dimension | 321 x 231 x 135mm |
| Weight | < 10KGS |
| Operating Temperature | -40°C to 55°C |
| IP Rating | IP65 |
| Installation | Wall/Pole Mount |

Product specifications are subject to change